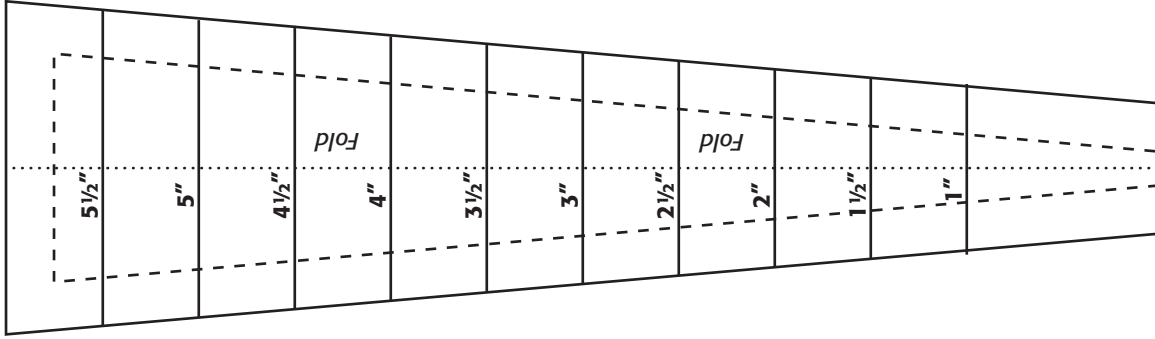
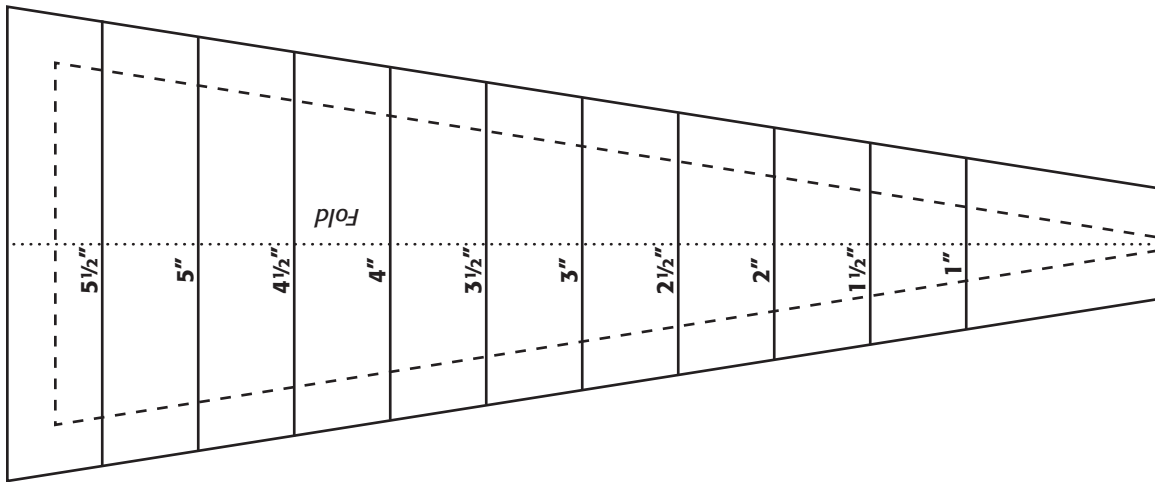


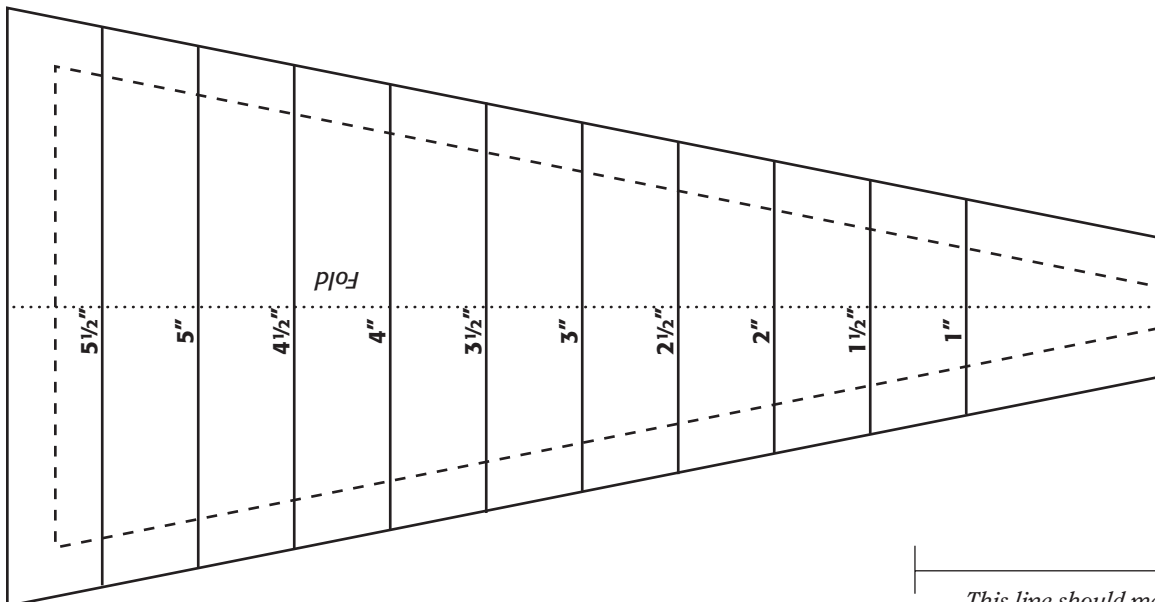
# Dresden Templates



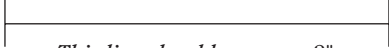
10° Dresden Plate  
36 Wedges



18° Dresden Plate  
20 Wedges



22.5° Dresden Plate  
16 Wedges

  
 This line should measure 2".  
 If it does not, check the printer settings to  
 make sure there is no page scaling—  
 print the page at 100% or actual size.